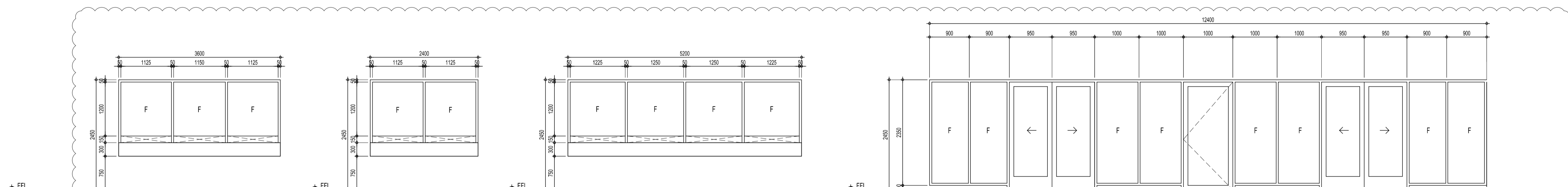
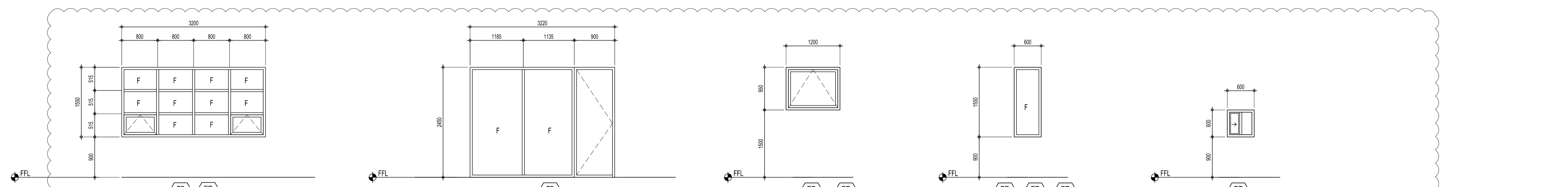


<p><b>ER 1</b></p> <p>TYPE: ALUMINUM FRAMED FIXED WINDOW</p> <p>DESCRIPTION: 8MM THK TEMPERED CLEAR GLASS ON POWDER COATED ALUMINUM FRAMES</p> <p>LOCATION: OB-AS ER, NURSERY ER-27</p> <p>QUANTITY: GF -1 SET, TOTAL -1 SET</p>	<p><b>ER 2</b></p> <p>TYPE: ALUMINUM FRAMED FIXED WINDOW</p> <p>DESCRIPTION: 8MM THK TEMPERED CLEAR GLASS ON POWDER COATED ALUMINUM FRAMES</p> <p>LOCATION: OB-AS ER, SUPPLY 1 ER-41, SUPPLY 2 ER-52</p> <p>QUANTITY: GF -4 SETS, TOTAL -4 SETS</p>	<p><b>ER 3</b></p> <p>TYPE: ALUMINUM FRAMED FIXED WINDOW</p> <p>DESCRIPTION: 8MM THK TEMPERED CLEAR GLASS ON POWDER COATED ALUMINUM FRAMES</p> <p>LOCATION: OB-AS ER, RECORDS ER-69</p> <p>QUANTITY: GF -1 SET, TOTAL -1 SET</p>	<p><b>ER 4</b></p> <p>TYPE: ALUMINUM FRAMED FIXED WINDOW</p> <p>DESCRIPTION: 8MM THK TEMPERED CLEAR GLASS ON POWDER COATED ALUMINUM FRAMES</p> <p>LOCATION: OB-AS ER, RECORDS ER-69</p> <p>QUANTITY: GF -1 SET, TOTAL -1 SET</p>	<p><b>ER 5</b></p> <p>TYPE: ALUMINUM FRAMED FIXED WINDOW</p> <p>DESCRIPTION: 8MM THK TEMPERED CLEAR GLASS ON POWDER COATED ALUMINUM FRAMES</p> <p>LOCATION: OB-AS ER, RECORDS ER-69</p> <p>QUANTITY: GF -1 SET, TOTAL -1 SET</p>	<p><b>ER 6</b></p> <p>TYPE: ALUMINUM FRAMED FIXED PASS THRU WINDOW</p> <p>DESCRIPTION: 8MM THK TEMPERED CLEAR GLASS ON POWDER COATED ALUMINUM FRAMES</p> <p>LOCATION: OB-AS ER, RECORDS ER-69</p> <p>QUANTITY: GF -1 SET, TOTAL -1 SET</p>	<p><b>ER 6A</b></p> <p>TYPE: ALUMINUM FRAMED FIXED WINDOWS WITH AUTOMATIC SLIDING DOORS AND SWING DOOR</p> <p>DESCRIPTION: 12MM THK TEMPERED GLASS ON POWDER COATED ALUMINUM FRAMES</p> <p>LOCATION: OB-AS ER, CASHIER ER-61</p> <p>QUANTITY: GF -1 SET, TOTAL -1 SET</p>
--	---	--	--	--	--	---



<p><b>ER 7</b></p> <p>TYPE: ALUMINUM FRAMED FIXED PASS THRU WINDOW</p> <p>DESCRIPTION: 8MM THK TEMPERED CLEAR GLASS ON POWDER COATED ALUMINUM FRAMES</p> <p>LOCATION: OB-AS ER, CASHIER ER-61</p> <p>QUANTITY: GF -1 SET, TOTAL -1 SET</p>	<p><b>ER 8</b></p> <p>TYPE: ALUMINUM FRAMED FIXED PASS THRU WINDOW</p> <p>DESCRIPTION: 8MM THK TEMPERED CLEAR GLASS ON POWDER COATED ALUMINUM FRAMES</p> <p>LOCATION: OB-AS ER, CASHIER ER-61</p> <p>QUANTITY: GF -1 SET, TOTAL -1 SET</p>	<p><b>ER 9</b></p> <p>TYPE: ALUMINUM FRAMED FIXED PASS THRU WINDOW</p> <p>DESCRIPTION: 8MM THK TEMPERED CLEAR GLASS ON POWDER COATED ALUMINUM FRAMES</p> <p>LOCATION: SATELLITE PHARMACY ER-132</p> <p>QUANTITY: GF -1 SET, TOTAL -1 SET</p>	<p><b>ER 10</b></p> <p>TYPE: ALUMINUM FRAMED FIXED WINDOWS WITH AUTOMATIC SLIDING DOORS AND SWING DOOR</p> <p>DESCRIPTION: 12MM THK TEMPERED GLASS ON POWDER COATED ALUMINUM FRAMES</p> <p>LOCATION: OB-AS ER, CASHIER ER-61</p> <p>QUANTITY: GF -2 SETS, TOTAL -2 SETS</p>	<p><b>ER 11</b></p> <p>TYPE: ALUMINUM FRAMED FIXED WINDOWS WITH AUTOMATIC SLIDING DOORS AND SWING DOOR</p> <p>DESCRIPTION: 12MM THK TEMPERED GLASS ON POWDER COATED ALUMINUM FRAMES</p> <p>LOCATION: OB-AS ER, CASHIER ER-61</p> <p>QUANTITY: GF -2 SETS, TOTAL -2 SETS</p>
--	--	--	---	---



<p><b>ER 12</b></p> <p>TYPE: ALUMINUM FRAMED FIXED AND AWNING WINDOWS</p> <p>DESCRIPTION: 6MM THK TEMPERED GLASS ON POWDER COATED ALUMINUM FRAMES</p> <p>LOCATION: OB-AS ER, CASHIER ER-61</p> <p>QUANTITY: GF -2 SETS, TOTAL -2 SETS</p>	<p><b>ER 14</b></p> <p>TYPE: ALUMINUM FRAMED FIXED WINDOWS WITH ALUMINUM FRAMED SWING GLASS DOOR</p> <p>DESCRIPTION: 12MM THK TEMPERED GLASS ON POWDER COATED ALUMINUM FRAMES</p> <p>LOCATION: CONFERENCE ROOM</p> <p>QUANTITY: GF -1 SET, TOTAL -1 SET</p>	<p><b>ER 15</b></p> <p>TYPE: ALUMINUM FRAMED AWNING WINDOW</p> <p>DESCRIPTION: 6MM THK TEMPERED GLASS ON POWDER COATED ALUMINUM FRAMES</p> <p>LOCATION: MALE PUBLIC TOILET ER-04 AND FEMALE PUBLIC TOILET ER-02</p> <p>QUANTITY: GF -2 SET, TOTAL -2 SET</p>	<p><b>ER 16</b></p> <p>TYPE: ALUMINUM FRAMED AWNING WINDOW</p> <p>DESCRIPTION: 6MM THK TEMPERED GLASS ON POWDER COATED ALUMINUM FRAMES</p> <p>LOCATION: MALE PUBLIC TOILET ER-04 AND FEMALE PUBLIC TOILET ER-02</p> <p>QUANTITY: GF -2 SET, TOTAL -2 SET</p>	<p><b>ER 17</b></p> <p>TYPE: ALUMINUM FRAMED FIXED WINDOW</p> <p>DESCRIPTION: 6MM THK TEMPERED GLASS ON POWDER COATED ALUMINUM FRAMES</p> <p>LOCATION: LABOR ROOM 01, LABOR ROOM 02 AND RECOVERY ROOM</p> <p>QUANTITY: GF -2 SET, TOTAL -2 SET</p>	<p><b>ER 18</b></p> <p>TYPE: ALUMINUM FRAMED FIXED WINDOW</p> <p>DESCRIPTION: 6MM THK TEMPERED GLASS ON POWDER COATED ALUMINUM FRAMES</p> <p>LOCATION: LABOR ROOM 01, LABOR ROOM 02 AND RECOVERY ROOM</p> <p>QUANTITY: GF -2 SET, TOTAL -2 SET</p>	<p><b>ER 19</b></p> <p>TYPE: ALUMINUM FRAMED FIXED WINDOW</p> <p>DESCRIPTION: 6MM THK TEMPERED GLASS ON POWDER COATED ALUMINUM FRAMES</p> <p>LOCATION: LABOR ROOM 01, LABOR ROOM 02 AND RECOVERY ROOM</p> <p>QUANTITY: GF -2 SET, TOTAL -2 SET</p>	<p><b>DT 01</b></p> <p>TYPE: ALUMINUM FRAMED SLIDING WINDOW</p> <p>DESCRIPTION: 6MM THK TEMPERED GLASS ON POWDER COATED ALUMINUM FRAMES</p> <p>LOCATION: DT-04 SPECIMEN PROCESSING</p> <p>QUANTITY: 2F -1 SET, TOTAL -1 SET</p>
---	---	--	--	--	--	--	---

OB-AS\_ER  
**1 WINDOW SCHEDULE**  
 SCALE: 1:50 MTS.

PROJECT

**PHILIPPINE GENERAL HOSPITAL  
 INFRASTRUCTURE PROJECT**

**P01 - OB - AS ER**  
 MANILA, PHILIPPINES

OFFICIAL REPRESENTATIVE

---

ARCHITECTURAL & INTERIOR DESIGN CONSULTANT

G/F PIECO BUILDING  
 2242 DON CHINO ROCES AVENUE  
 MAKATI CITY, PHILIPPINES  
 Tel : (00 63 2) 817-1115, (632) 817-1116  
 Fax : (00 63 2) 817-0752  
 Email : archon@eastern.com.ph

ARCHITECT:

**Daniel A. Lichauco**

PTR NO. : 5912695	PRC NO. : 9243
DATE ISSUED : JANUARY 05, 2017	DATE ISSUED : JUNE 17, 1987
PLACE ISSUED : MAKATI CITY	VALID UNTIL : DEC. 17, 2018
TIN NO. : 172958490	UAP-IAPOA : 07523 109139 100913

QUANTITY SURVEYOR:

**UNI SYSTEM**  
 UNI SYSTEM CONSULTANCY  
 INTERNATIONAL INCORPORATED

Tel : (632) 586 5928  
 Email : unisystem.consult.us@gmail.com

STRUCTURAL ENGINEERING CONSULTANT:

**ANTONIO V. GUTIERREZ & ASSOCIATES**

Tel : (00 63 2) 725 6265  
 Fax : (00 63 2) 724 1687  
 Email : antoniovgutierrez@yahoo.com

MEFP CONSULTANT:

**MEINHARDT**  
 Meinhardt Philippines, Inc.  
 25th Floor Chatham House 116 Valero cor.  
 V.A. Rufino St. Salcedo Village, Makati City  
 Tels. (632) 887-1391 E-mail mpi@meinhardt.com.ph  
 Fax (632) 887-1172

ENGINEERING CONSULTANT:

---

PTR NO. :	PRC NO. :
TIN NO. :	DATE ISSUED :
PLACE ISSUED :	VALID UNTIL :

DATE:	NO.	REVISIONS:
NOV 2017	1	REVISED HEIGHT TO 2400MM, CHANGED TO ALUMINUM FRAMES

GRAPHIC SCALE:

DRAWING CONTENTS:

**WINDOW SCHEDULE**

PROJECT NO. :	SHEET NO. :
SCALE : 1:50 MTS	<b>P01-A-607</b>
DRAWN BY : ME	
DATE DRAWN : 2017/03/01	
CHECKED BY :	
FILE NAME :	