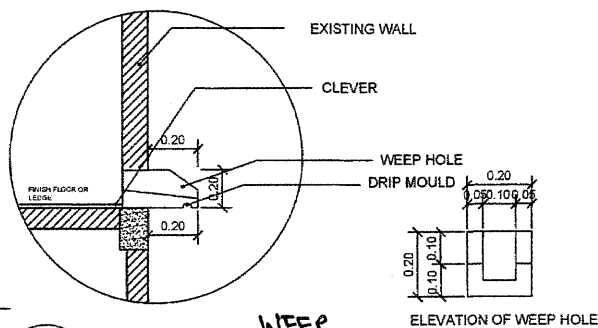
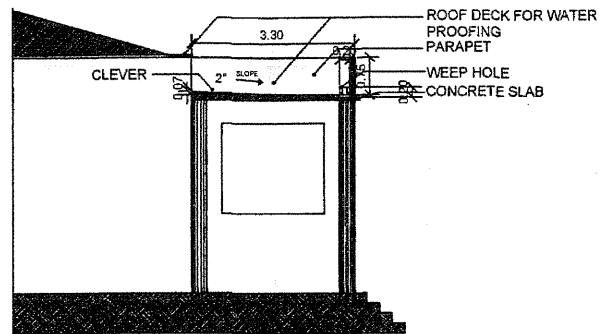


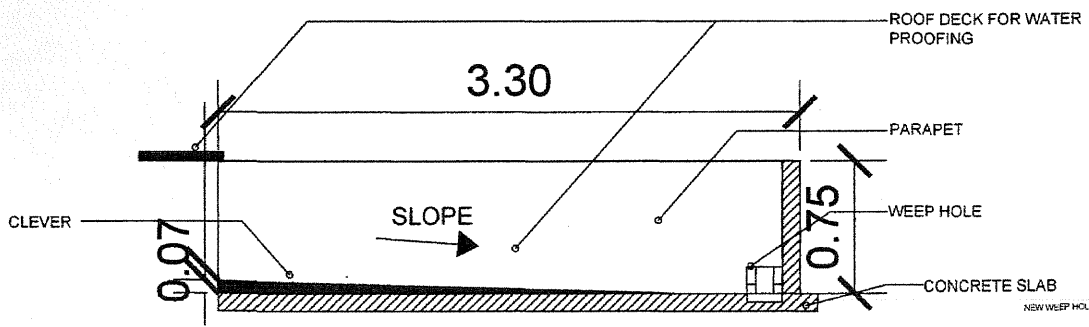
1 KEY PLAN
A-1 NTS.



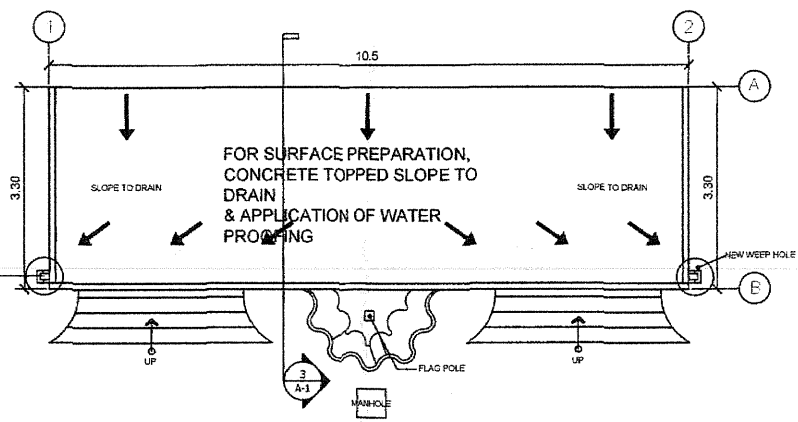
2 SPOT DETAIL OF ~~WEEP~~ HOLE
A-1 NTS.



3 SECTION OF CANOPY PLAN
A-1 NTS.

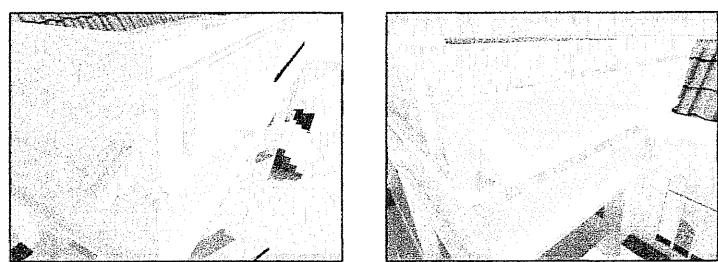


SECTION VIEW



4 CANOPY PLAN
A-1 NTS.

- SCOPE OF WORKS:
1. SURFACE PREPARATION
 2. CONCRETE TOPPING & WATERPROOFING
 3. ADDITIONAL INSTALLATION OF WEEP HOLE
 4. PAINTING WORKS
- TOTAL AREA=35 SQ.M



PERSPECTIVE VIEW

<p>CAMPUS PLANNING DEVELOPMENT & MAINTENANCE OFFICE P. Faura Street, Ermita, Manila Tel. No. 525-2233 Telefax No. 526-8420</p>	<p>CHECKED CORRECT: AR. ALLEN R. BUENAVENTURA CHIEF, CPDMO</p>	<p>PROJECT TITLE: UPRAISED UNDER: OF THE MALAYSIAN MANILA</p>	<p>RECOMMENDING APPROVED: MICHAEL L. TEL. MD, MPEQ., MBA. VICE CHIEF OFFICE PLANNING AND DEVELOPMENT</p>	<p>APPROVED: ARLENE A. SAMANEGO, MD. VICE CHIEF OFFICE ADMINISTRATION</p>	<p>SHEET CONTENT: KEY PLAN PROPOSED FLOOR PLAN SECTION OF CANOPY SPOT DETAIL OF WEEP HOLE SECTION VIEW PERSPECTIVE VIEW</p>	<p>DATE ISSUED: DATE REVISED: REVISION NO.: REF. NO.: CADD FILE:</p>	<p>SHEET NO.: A-1 1 OF 1</p>
	<p>PREPARED BY: AR. JERRY MONTY C. QUINRO DRAFTSMAN CADD BY: DARLO D. ALVAREZ JR.</p>	<p>APPROVED BY: AR. LEONARDO F. CORDERO ADMINISTRATIVE OFFICER V</p>	<p>DATE: 21 OCT 2016</p>				

RA 9286 - THIS DRAWING AS AN INSTRUMENT OF SERVICE IS THE PROPERTY OF CPDMO UP MANILA AND SUCH MUST NOT BE REPRODUCED OR COPIED IN OR IN WHOLE WITHOUT PERMISSION.