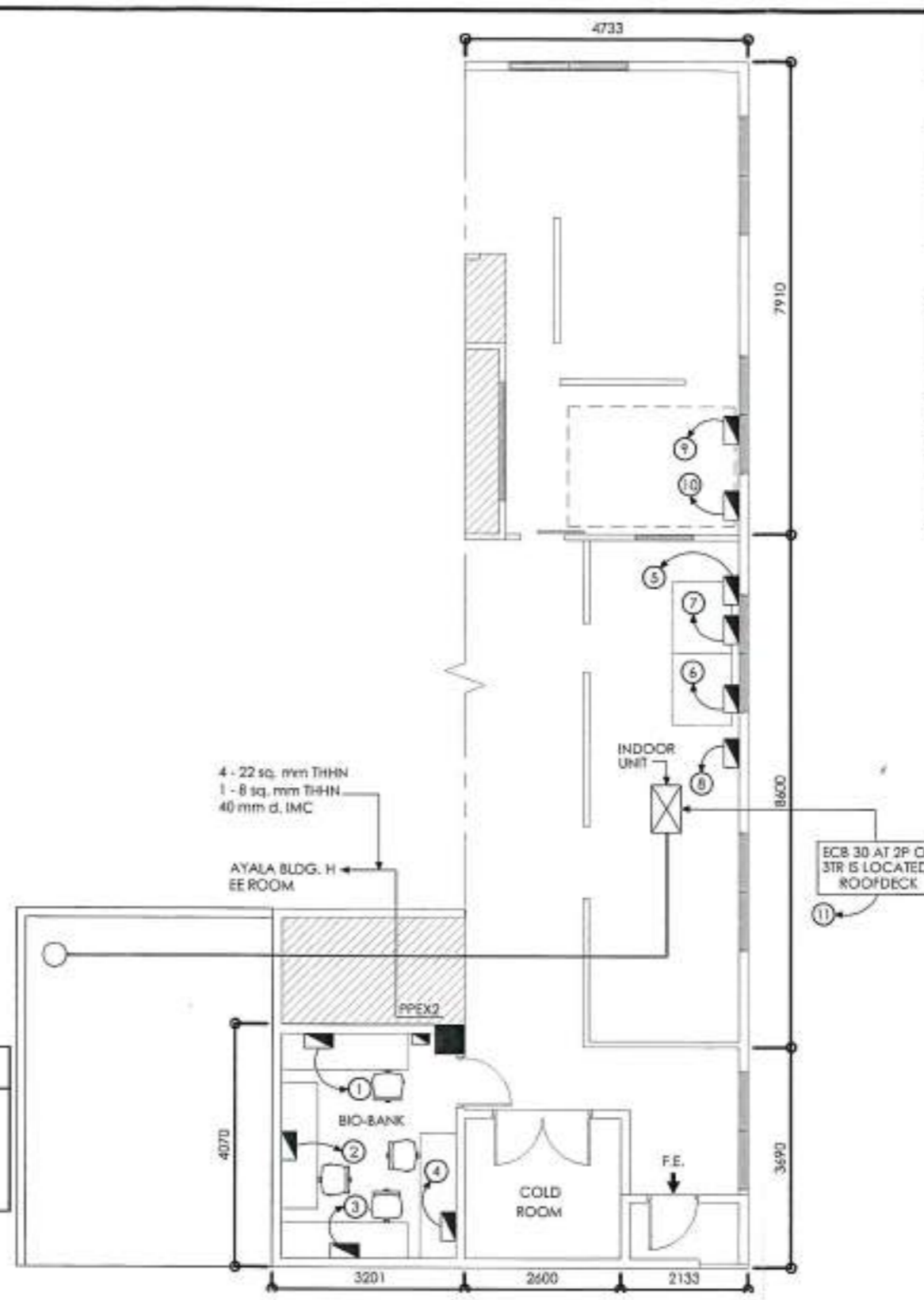


① PROPOSED EQUIPMENT LAYOUT
E-1 SCALE 1:100 (M)



LEGEND	
①	HPLC MACHINE
②	MSMS (Tandem Mass)
③	GAL MACHINE

LEGEND	SPECIFICATIONS
▣	ECB
⤵ (X)	HOME RUN
PPEX2	PANEL BOARD



<p>CPDMO CAMPUS PLANNING DEVELOPMENT & MAINTENANCE OFFICE P. Fara Street, Ermita, Manila Tel. No. 521-2231 Telefax No. 521-8423</p>	<p>CHECKED CORRECT:</p> <p><i>[Signature]</i> AR. LEONARD P. CORDERO ACTING MGT. OFFICER</p>	<p>PROJECT TITLE</p> <p>EXPANSION OF NEWBORN SCREENING CENTER NATIONAL INSTITUTE OF HEALTH 11 AVILA TECHNIQUE, QUEZON CITY</p>	<p>ELECTRICAL ENGINEER</p>	<p>RECOMMENDING APPROVAL</p> <p><i>[Signature]</i> MD. MARY ANNE D. CHONG DEAN, COLLEGE OF NURSING, NIPUS OF HEALTH</p> <p><i>[Signature]</i> EVA MARIA CUIO GOCO-DELA PAZ, MD VICE CHANCELLOR FOR RESEARCH & INNOVATIVE DIRECTOR</p>	<p>APPROVED:</p> <p><i>[Signature]</i> ARLEN A. SAMANEGO, MD VICE CHANCELLOR FOR ADMINISTRATION</p>	<p>SHEET CONTENT</p> <p>PROPOSED ADDITIONAL ELECTRICAL LAYOUT SCHEDULE OF LOADS</p>	<p>DATE ISSUED:</p> <p>DATE REVISED:</p> <p>REVISION NO.:</p> <p>REF. NO.:</p> <p>DRAWN BY:</p>	<p>SHEET NO.:</p> <p>E-1</p>
	<p>PREPARED BY:</p> <p><i>[Signature]</i> AR. LEONARD P. CORDERO PROJECT ASSOCIATE</p> <p><i>[Signature]</i> ENGR. RICHARD S. REMORQUE ENGINEER II</p>	<p>DATE:</p>	<p>SCALE:</p>	<p>PROJECT NO.:</p>	<p>APPROVED:</p>	<p>DATE:</p>	<p>DATE:</p>	<p>DATE:</p>

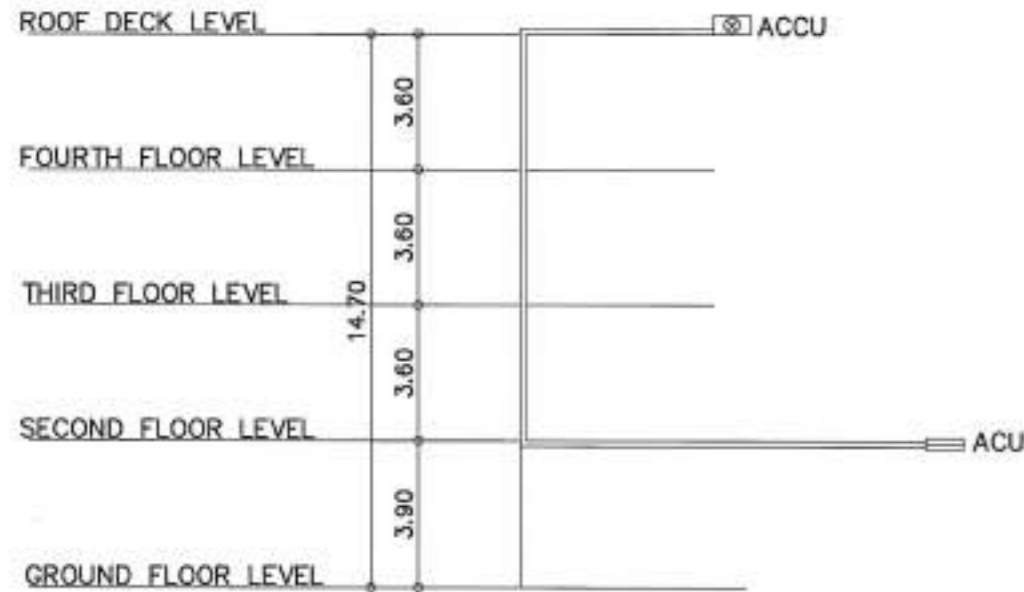
AS BIDD: THIS DRAWING AS AN INSTRUMENT OF SERVICE IS THE PROPERTY OF CPDMO OF MANILA AND SUCH MUST NOT BE REPRODUCED OR COPIED IN OR IN WHOLE WITHOUT PERMISSION.

Main CB : 60AT 3P MCCB 3 pole 380V 18kaic		Location: Ground floor	System:					
Branch CB : 12kaic		Mouring: Surface Mounted with wiring dead front cover Nema 3	380/230V 60hz					
TERMINALS : Neutral and ground								
BR. NO.	CIRCUIT BREAKER	LOAD DESCRIPTION	KVA					Wiring
			Load	AN	BN	CN	3 Ø	
1	20A 20AT 3 BOLT ON	HPLC	2	2			3-3.5mm ² THHN in 20mmØ conduit	
2	20A 20AT 3 BOLT ON	HPLC	2	2			3-3.5mm ² THHN in 20mmØ conduit	
3	20A 20AT 3 BOLT ON	HPLC	2	2			3-3.5mm ² THHN in 20mmØ conduit	
4	20A 20AT 3 BOLT ON	HPLC	2	2			3-3.5mm ² THHN in 20mmØ conduit	
5	20A 20AT 3 BOLT ON	MSMS	1		3		2-5.5mm ² THHN - 1-5.5mm ² THHN in 20mmØ conduit	
6	20A 20AT 3 BOLT ON	MSMS	1		3		2-5.5mm ² THHN - 1-5.5mm ² THHN in 20mmØ conduit	
7	20A 20AT 3 BOLT ON	Nitrogen Pump	2	2			3-3.5mm ² THHN in 20mmØ conduit	
8	20A 20AT 3 BOLT ON	Nitrogen Pump	2	2			3-3.5mm ² THHN in 20mmØ conduit	
9	20A 20AT 3 BOLT ON	GAL Machine	2	2				
10	20A 20AT 3 BOLT ON	GAL Machine	2	2				
11	20A 20AT 3 BOLT ON	Split Type - AHP	3.88			3.88		
			25.88	8	8	8.88		

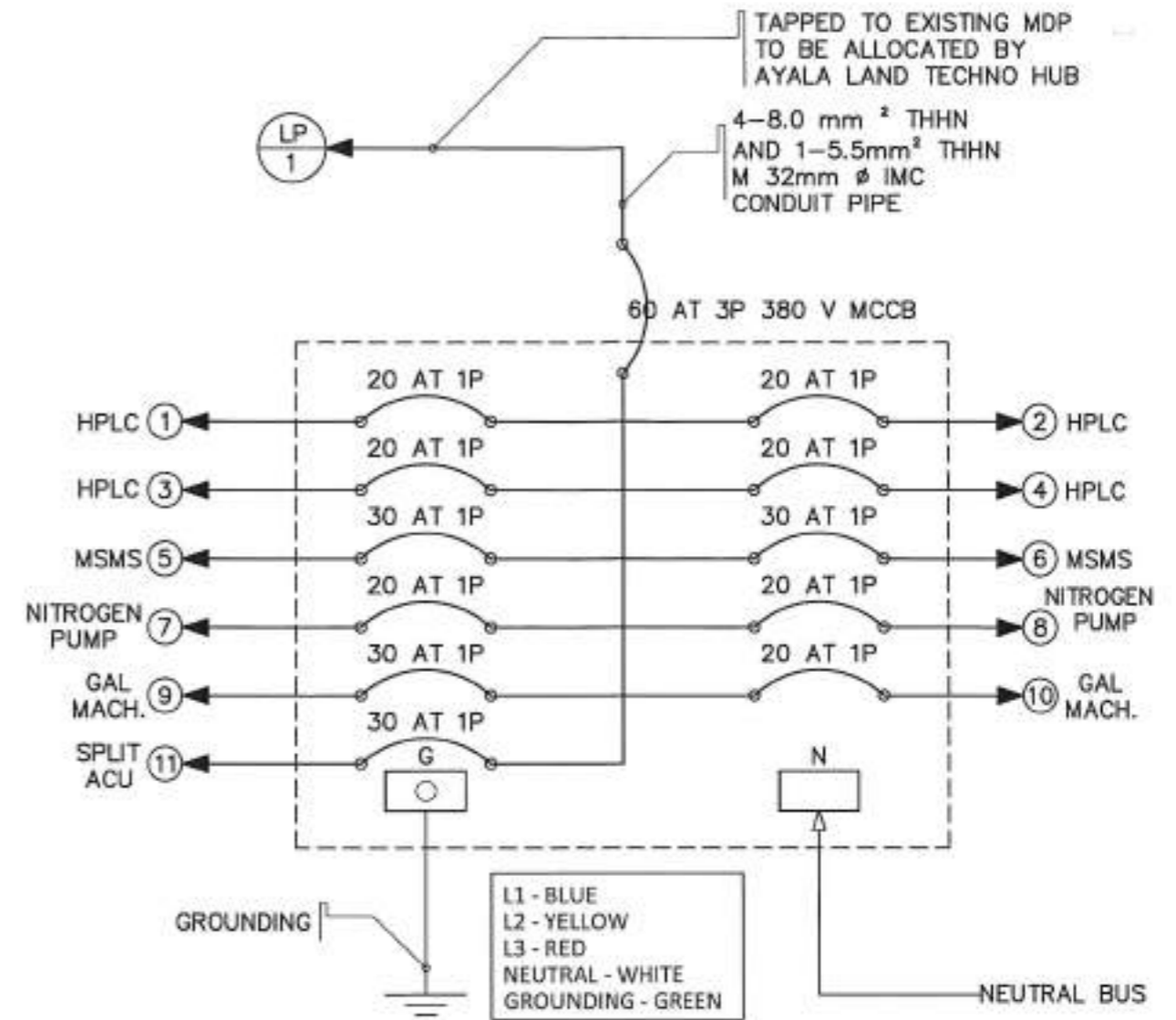
$$L = \frac{25.88 \times 1.73}{\sqrt{3} (380)} = 25 (36.57)$$

+ 46.91 AMPS

Use: 4-8.0mm² THHN, 1-5.5mm² THHN in 40mmØ IMC
 Breaker: 60AT/120CAF 18kaic, 3 pole 380V MCCB



1 PROPOSED ACCU TO ACU DIAGRAM
 E-2 SCALE 1:100 MS



1 PROPOSED ADDITIONAL ELECTRICAL LAYOUT
 E-2 SCALE 1:100 MS



CAMPUS PLANNING & MAINTENANCE OFFICE
 P. Claro Street, Manila
 Tel. No. 526-2035
 Telefax No. 526-9420

CHECKED CORRECT: *[Signature]*
AR. LEONARDO P. CORDERO
 ASST. CHIEF, CPDMO

DESIGNED BY: *[Signature]*
AR. JEFFREY D. SATAYOLA
 JR. PROJECT ASSOCIATE

ENGINEER: *[Signature]*
ENGR. RONALDO B. REMORQUE
 ENGINEER II

CADD BY:

PROJECT TITLE:
EXPANSION OF NEWBORN SCREENING CENTER
 NATIONAL INSTITUTE OF HEALTH
 UP-AYALA TECHNOHUB, GUSONG CITY

ELECTRICAL ENGINEER:

RECOMMENDING APPROVAL:
[Signature]
MD. MARILYNNE D. CHONG
 DEVA. COLLEGE OF NURSING, NURSING DEPT.
[Signature]
EVA MARIA CUREO GONCO-DELA PAZ, MD
 VICE CHANCELLOR FOR RESEARCH & INNOVATION
[Signature]
MICHAEL L. NEE, MD, MHPed, MBA
 VICE CHANCELLOR FOR PLANNING AND DEVELOPMENT

APPROVED:
[Signature]
ARLENE A. SAMANIEGO, MD
 VICE CHANCELLOR FOR ADMINISTRATION

SHEET CONTENT:
 PROPOSED ADDITIONAL ELECTRICAL LAYOUT
 SCHEDULE OF LOADS

DATE ISSUED: _____
 DATE REVISED: _____
 REVISION NO.: _____
 REF. NO.: _____
 CADD FILE: _____

E-2

AS 9288 : THIS DRAWING AS AN INSTRUMENT OF SERVICE IS THE PROPERTY OF CPDMO UP MANILA AND SUCH MUST NOT BE REPRODUCED OR COPIED IN OR IN WHOLE WITHOUT PERMISSION